

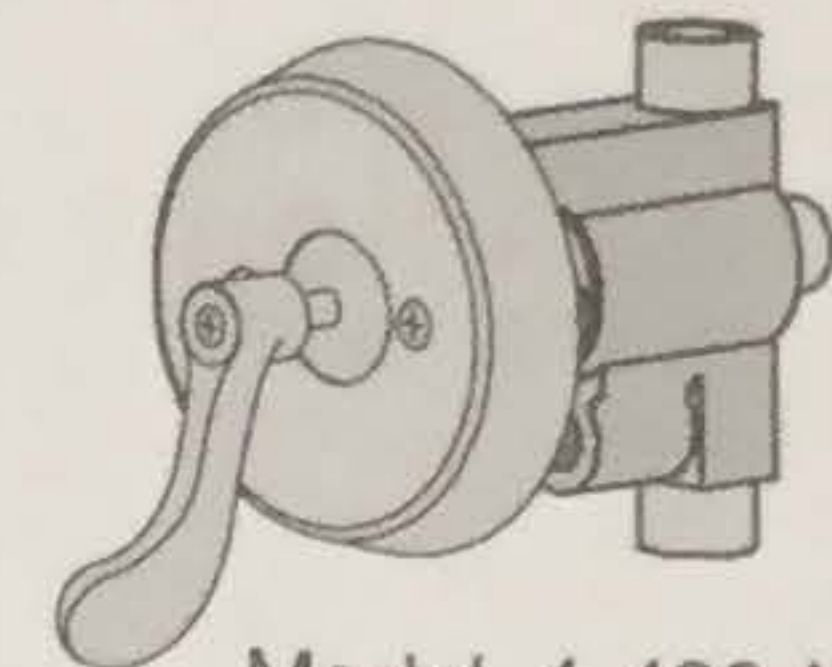


SYMMONS®

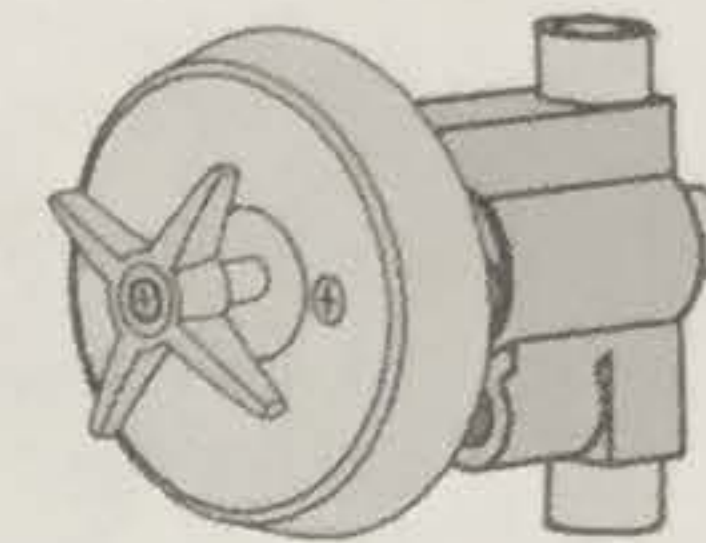
Showeroff Shower Valve System 4-420-HV 4-420-HV-L

On-Off Control Conversion

Installation Brief



Model, 4-420-HV-L



Model, 4-420-HV

Model Numbers

4-420-HVShower valve system with cross handle
 4-420-HV-L.....Shower valve system with wrist blade handle

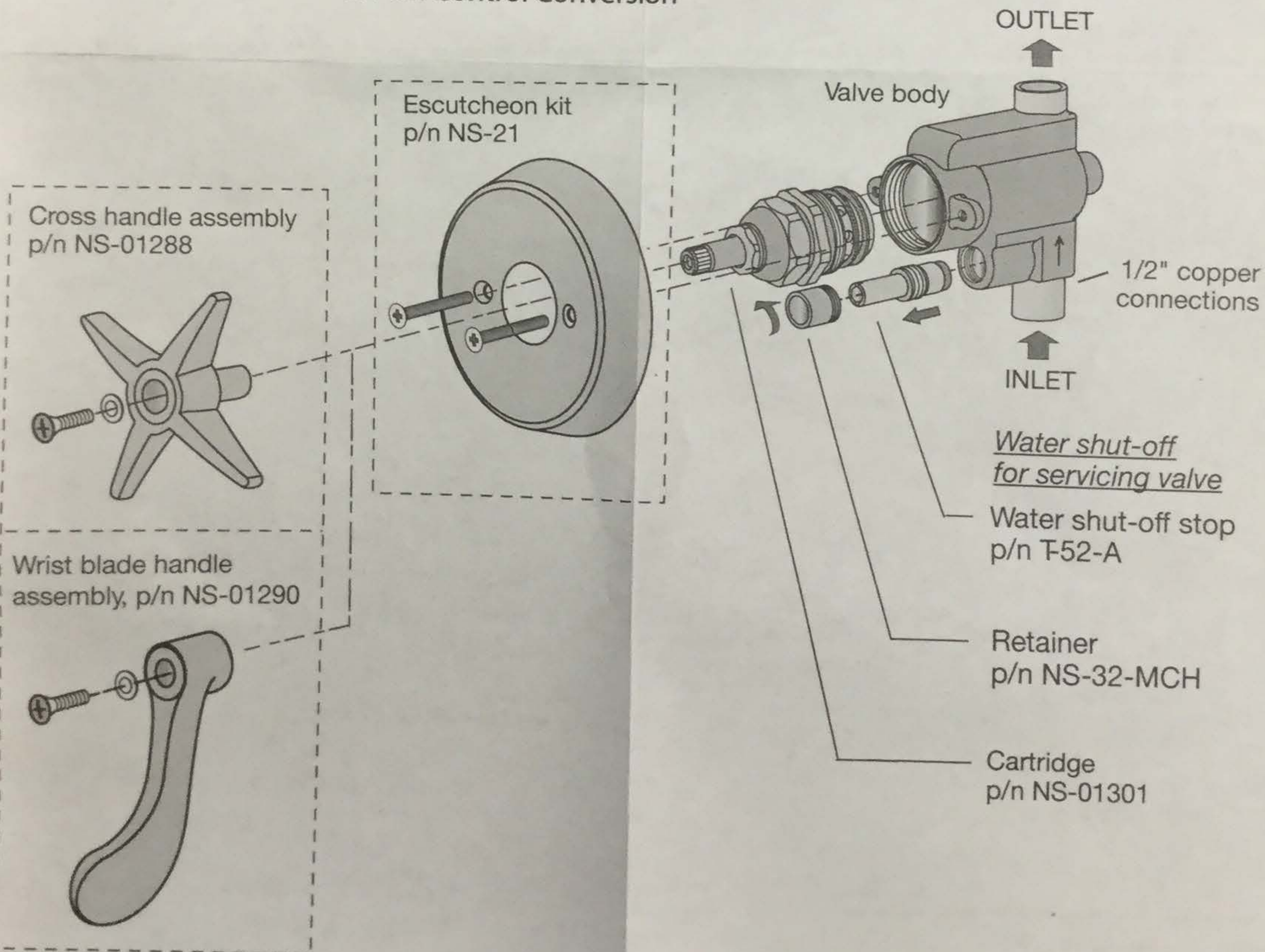
- Showeroff shower valve system with integral stop and 1/2" sweat connections
- Valve mounting fasteners are vandal resistant recessed hex socket type

☎ Need Help?

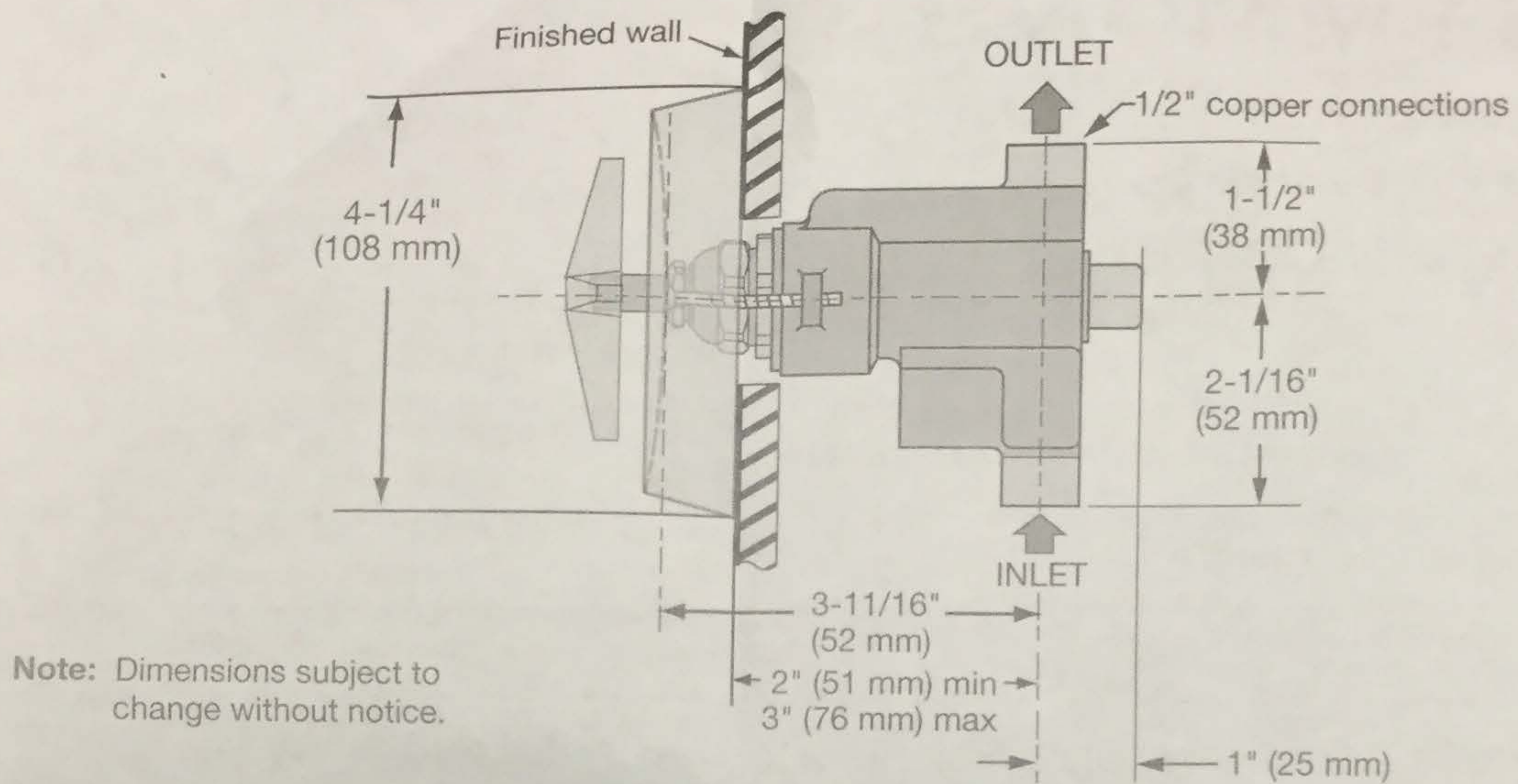
Contact Symmons customer service at (800) 796-6667, (781) 848-2250
 Email: customerservice@symmons.com
 Monday - Friday 7:30 am - 7:00 pm EST

💻 Please check Symmons website for technical help, the latest product information and warranty policy.
 Website: www.symmons.com/service

Parts Assembly Showeroff Shower Valve System, 4-420-HV Series On-Off Control Conversion



Dimensions Showeroff Shower Valve System, 4-420-HV



Dimensions Showeroff Shower Valve System, 4-420-HV-L

